

Figure 1. Flip the frame upside down, so the widest boards are facing up. Place two(2) beads of caulk around the opening that surrounds the duct hole. They should be about 1/2" from the interior and exterior edges.

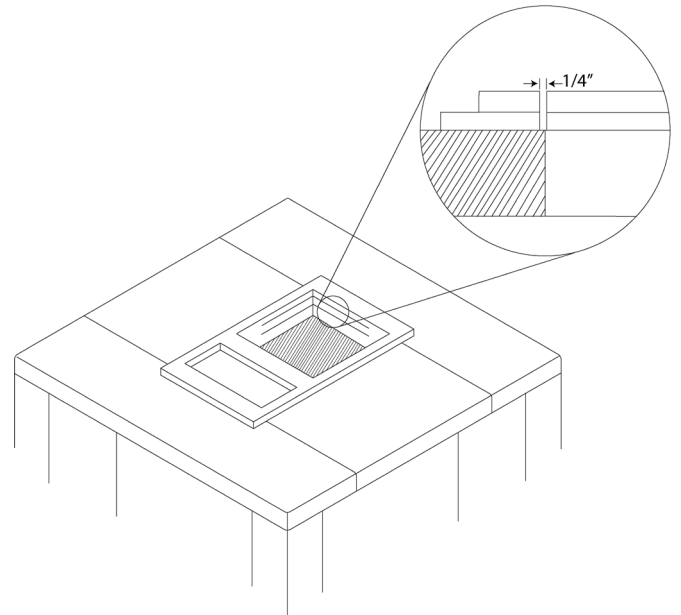


Figure 2. Place curb on roof of walk-in cooler, center the opening of the curve over hole in ceiling. Screw curb to roof with flat screws (countersunk). (There should be a 1/4" step between frame and hole in the box.)

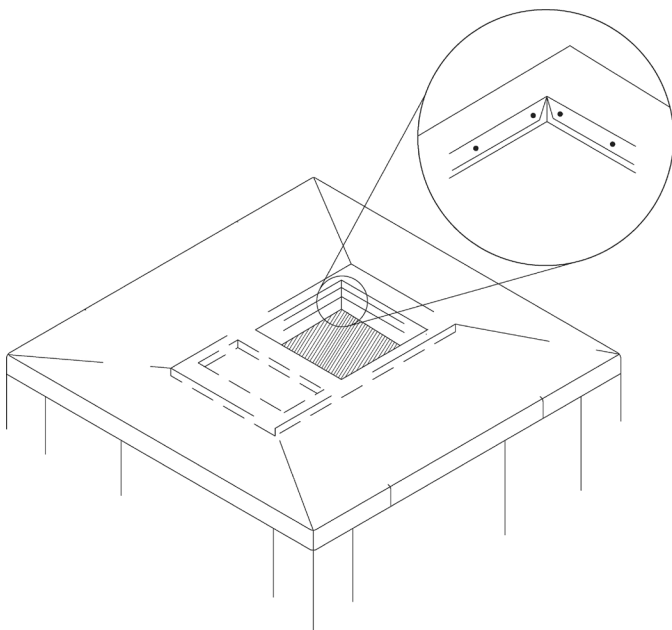


Figure 3. Place roof membrane over curb, make sure entire wood frame is covered. Cut membrane in an "x" from corner to corner. Trim membrane inside hole to 1 1/4" length. Screw or nail it to the curve sides. Make sure membrane roof is perfectly flat around the edges of the hole.

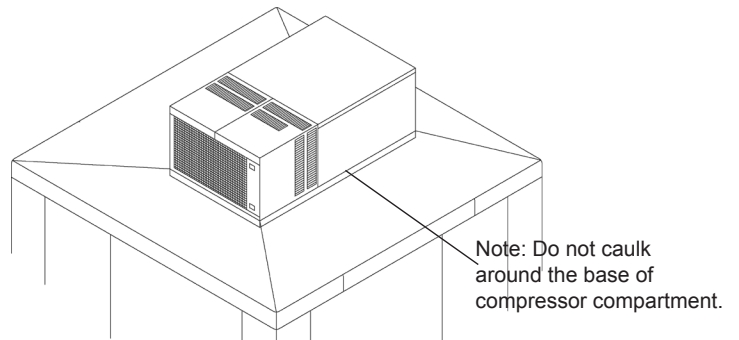


Figure 4. Place unit on roof of walk-in cooler, make sure unit is laying flat and level.

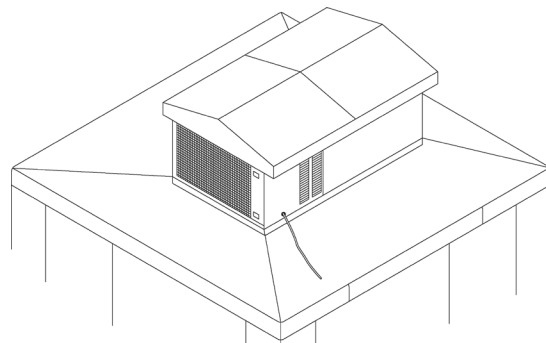


Figure 5. Weather hood should be installed after electrical service connection, make sure condensate drain line is sloping away from the unit.